

ISA Water Pump

Horizontal End Suction Water Pump

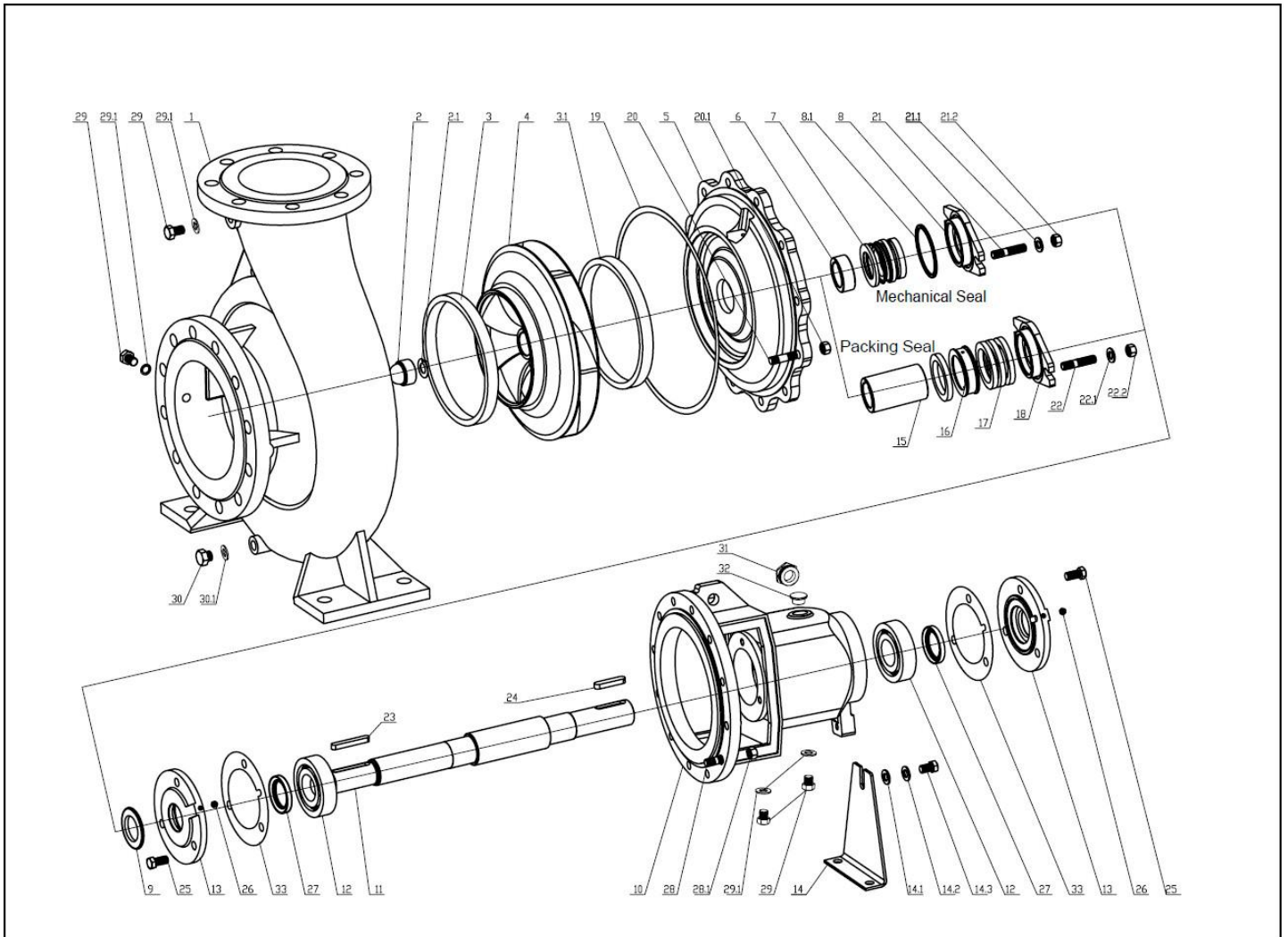


General Information

ISA series end suction centrifugal pumps are designed complying to BS EN733/DIN24255 standard. This series of pumps have great advantages in interchangeable parts, high quality and low cost, wide applications in plants, mines, city water supplies, fire-fighting systems, air-condition systems and irrigation

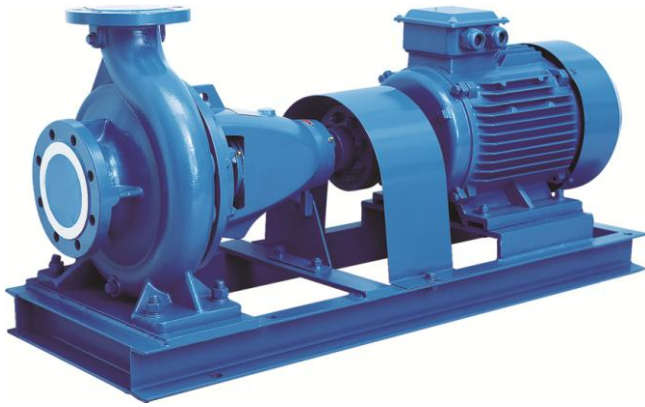
General Application

- Water supply and drainage
- HVAC and cooling tower
- Marine-Ballasting & Bilge
- Booster and pressurization set
- Irrigation and agriculture



ISA Water Pump

Horizontal End Suction Water Pump



Material of Construction	
	Options on request
Casing	Cast Iron/SS304/SS316
Impeller	Cast Iron/Brass/SS304/SS316
Shaft	Stainless Steel
Shaft Seal	Gland Packing/Mechanical Seal

Operating Data

Flow Rate(Q)	4~1584 m ³ /h
Head(H)	2~150m
Speed	1450 or 2900 rpm(50hz)/1750 or 3500 rpm(60hz)
Max Temperature	85°C(standard); 105°C(on request)
Working Pressure	1.0 MPa standard; 1.6 MPa on request
Conveying Medium	Clean water or liquids similar to clean water in physical property

50Hz Performance & Specifications

